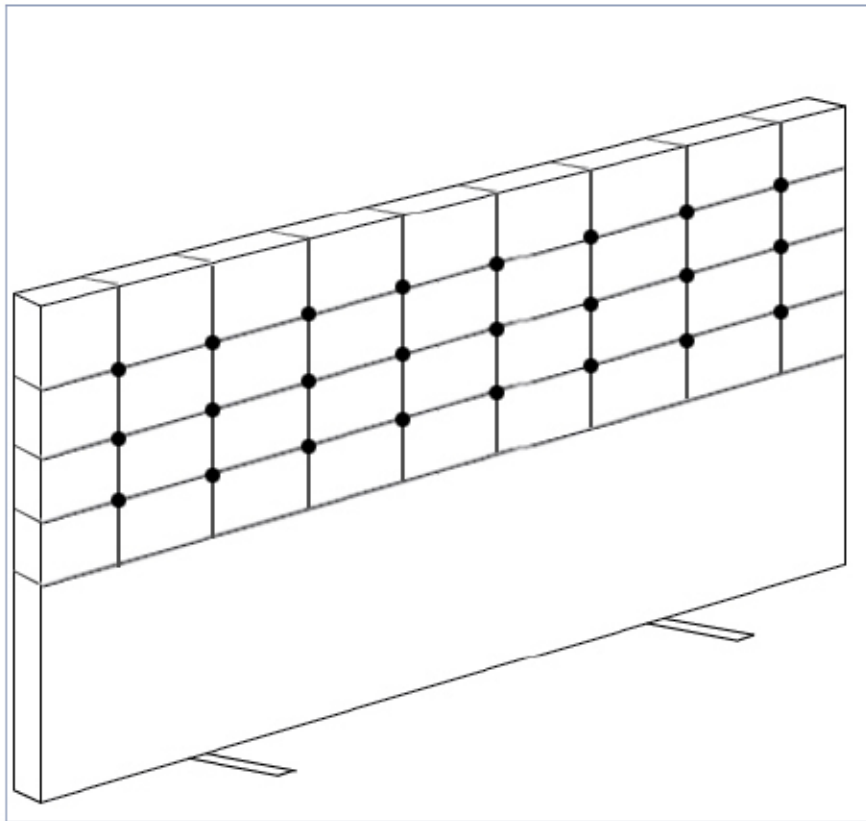




ASSEMBLY INSTRUCTION
LOTTI KING HEADBOARD
ITEM CODE 58145

Imported by Amart Furniture, Brisbane Australia.
For any assistance with assembly or for missing parts please phone
Amart Furniture, Customer Service Free call 1800 351 084




Imported by Amart Furniture Pty Ltd, Qld, Brisbane Australia. For any assistance with assembly or for missing parts please phone Amart Furniture, Customer Service Free call 1800 351 084

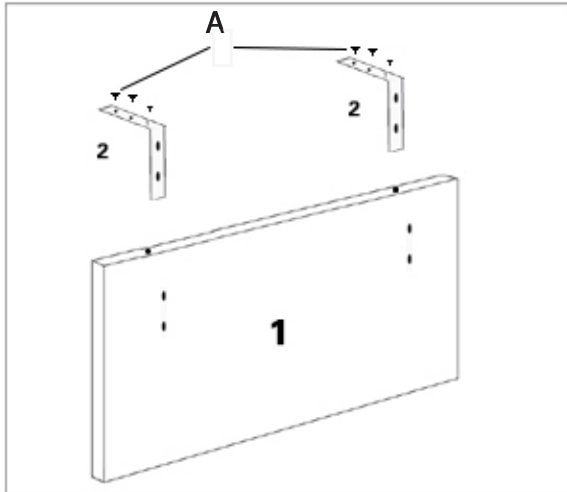
PRE-ASSEMBLY PREPARATION

Before you start:






1. Choose a clean, level, spacious assembly area. Avoid hard surfaces that may damage the product
2. Take care when lifting. Product should be assembled as near as possible to the point of use
3. Ensure that you have all required contents for complete assembly
4. Always read the assembly instructions carefully before beginning assembly.
5. Keep all hardware parts and packaging out of reach of small children.
6. Do not over tighten the screws and bolts as this may damage the threads

	
ALLOW 10 MINUTES	PEOPLE REQUIRED
NONE	
ADDITIONAL TOOLS REQUIRED	

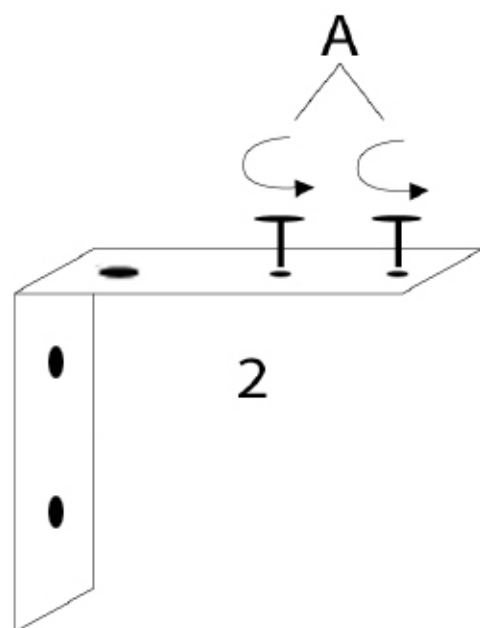
PARTS LIST



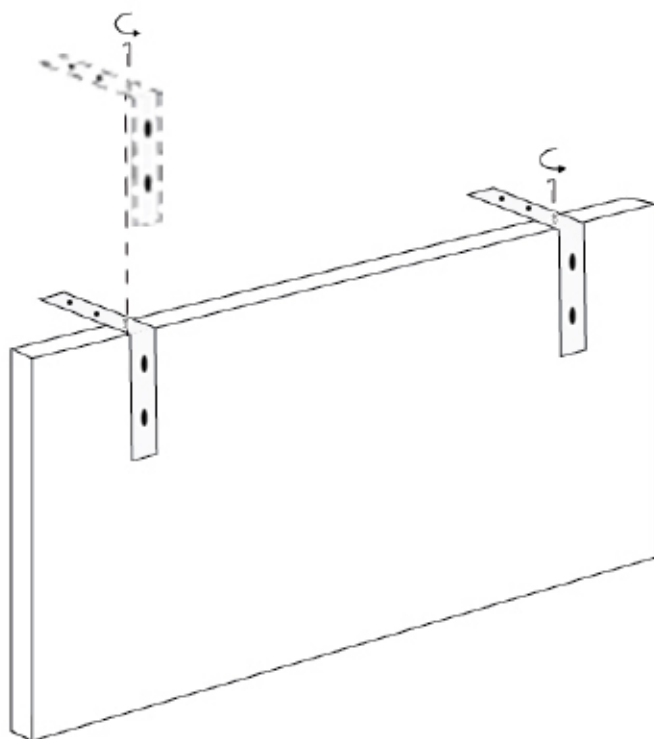
1	HEADBOARD
2	FREE STANDING BRACKET

A- Adjustment Leg, 4 pcs 	B- Small Washers, 6pcs 	C- Allen Screw 8x25mm, 2pcs 
D- Allen Screw 8x35cm, 4pcs 	E- Allen Key, 1pc 	

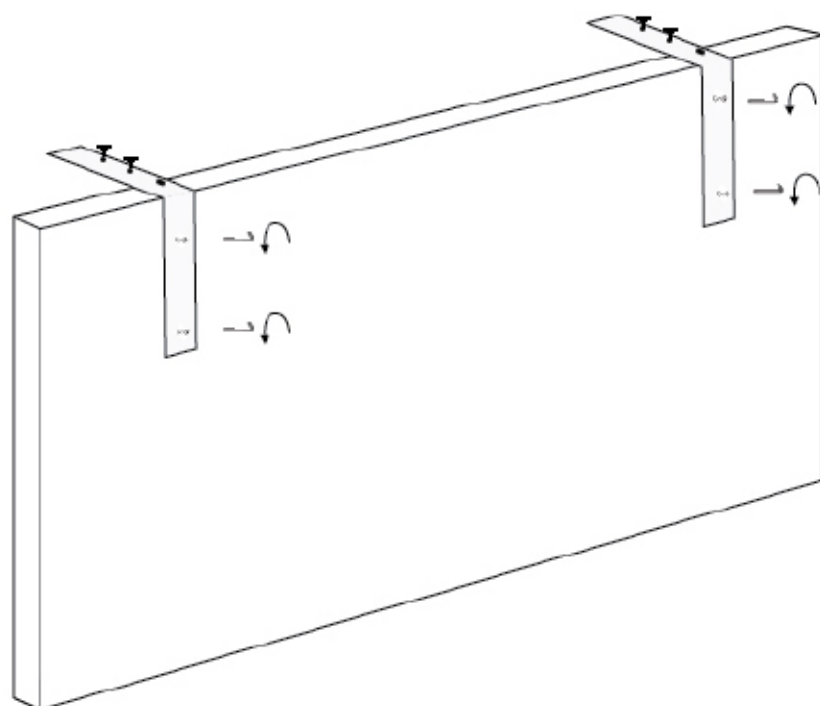
STEP 1: Attach adjustable legs to the free standing brackets.



STEP 2: Attach the short screws into the base of the headboard



STEP 3: Attach the long screw into the back of the headboard



ASSEMBLY IS COMPLETE

